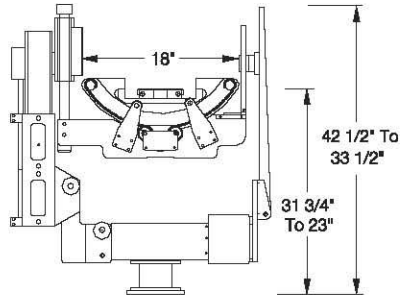
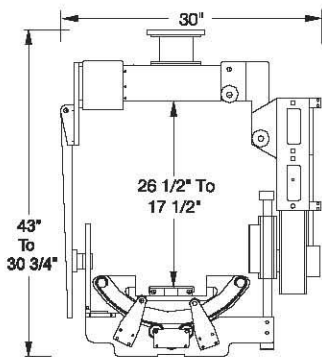
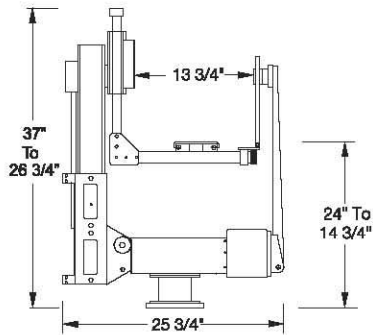
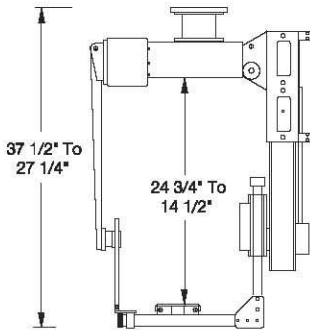


# CAM-REMOTE 2 AXIS REMOTE HEAD



## Head Axes

Pan & tilt: 360° continuous, 0-150°/sec.

Overslung-Underslung-Horizontal

Head Weight 2-axis / 3-axis

70 / 117 Lbs.

Max. Camera Weight

190 lbs.

Head Control

Wheels, joystick, pan-bar

Environmental

-22° F to 120° F

Power Requirements

18-28 VDC (3A max)

Generator, battery, AC

## Setup Time

30 minutes

Technician Required

Yes, or trained A.C.

Cameras Accepted

All film, video and HI-DEF

Wireless

3rd party microwave, RF, etc.

Lens Control

Preston FI+Z

Additional Info

Accepts all large format cameras and 3-D rigs