

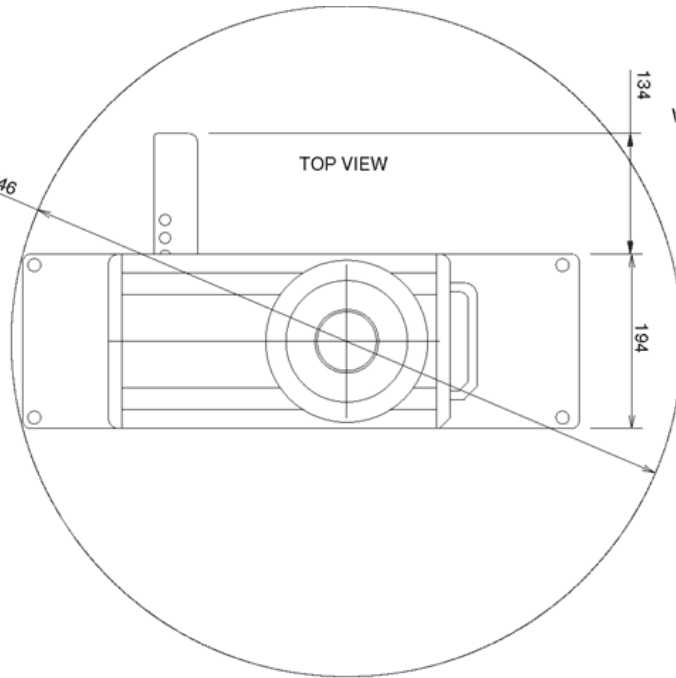
## POWER POD 2000 SPECS

Weight of two axis format:	70 lbs (32 kgs)
Weight of three axis format:	125 lbs (56 kgs)
Max recommended load:	Two axis 200 lbs (90 kgs) Three axis 150 lbs (68 kgs)
Pan, Tilt and Roll movement:	360 Degrees continuous
Electronic limit switches:	Tilt and Roll
Speed Range Pan, Tilt and Roll:	2.5 seconds to 37 hours
Number of slip-rings:	30
Outputs at Camera Plate:	BNC 75 Ohm (x 3) Triax 12 volts @ 2 amps for Video (x2) 12 volts @ 10 amps peak (x2) 24(28) volts @ 15 amps peak Zoom output Focus output Iris output Camera Start/Stop
Outputs spare for clients' use:	Aux 1 two channels 8 amps Aux 2 eight channels 2 amps
Mounting Base:	Standard Mitchel
Link between Head and Controls:	RS232 9600 bps
Supply voltage range:	21 to 34 volt DC
Over/under voltage cut off:	18 and 37 volt DC
Power for Head @ 28 volts:	1.7 amps to 10 amps peak

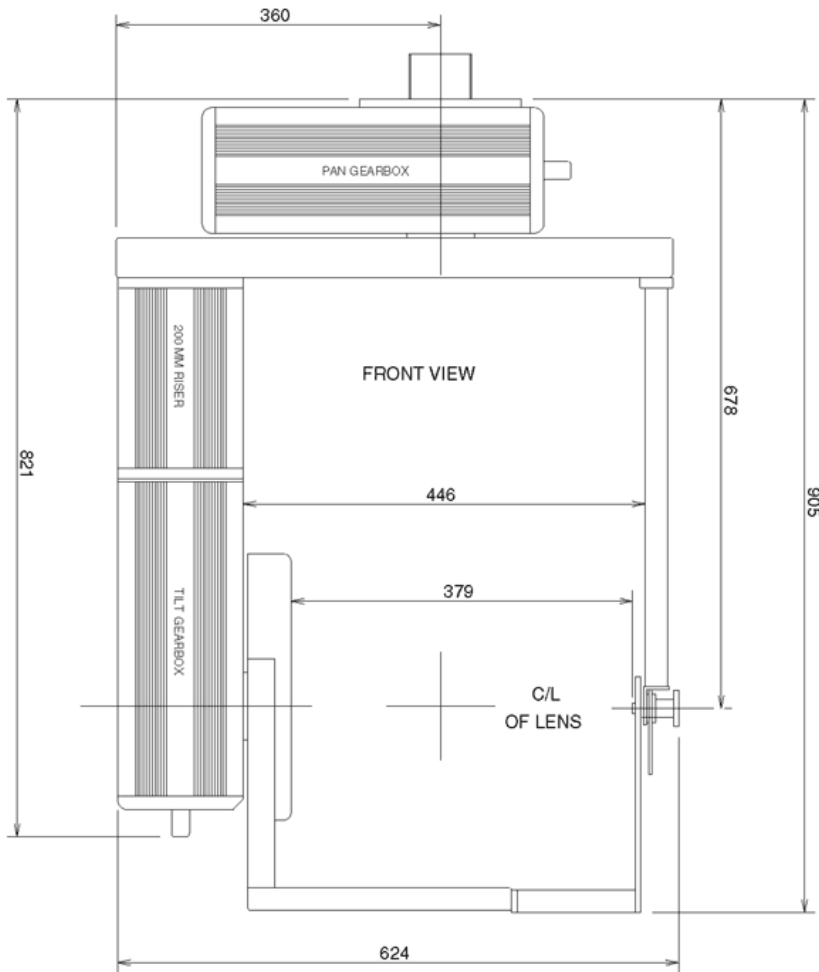
POD2000/257

BRIDGE PLATE  
CLEARANCE

$f\phi 746$



POWER POD 2000  
IN TWO AXIS  
WITH 200MM RISER



DETAILS SUBJECT TO CHANGE WITHOUT NOTICE

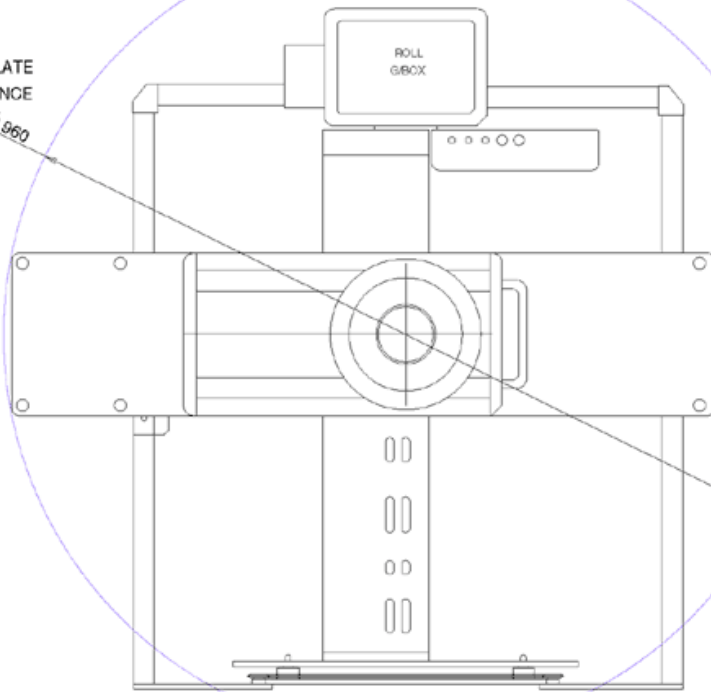
POD2000/258

POWER POD 2000  
IN THREE AXIS  
WITH 200MM RISER

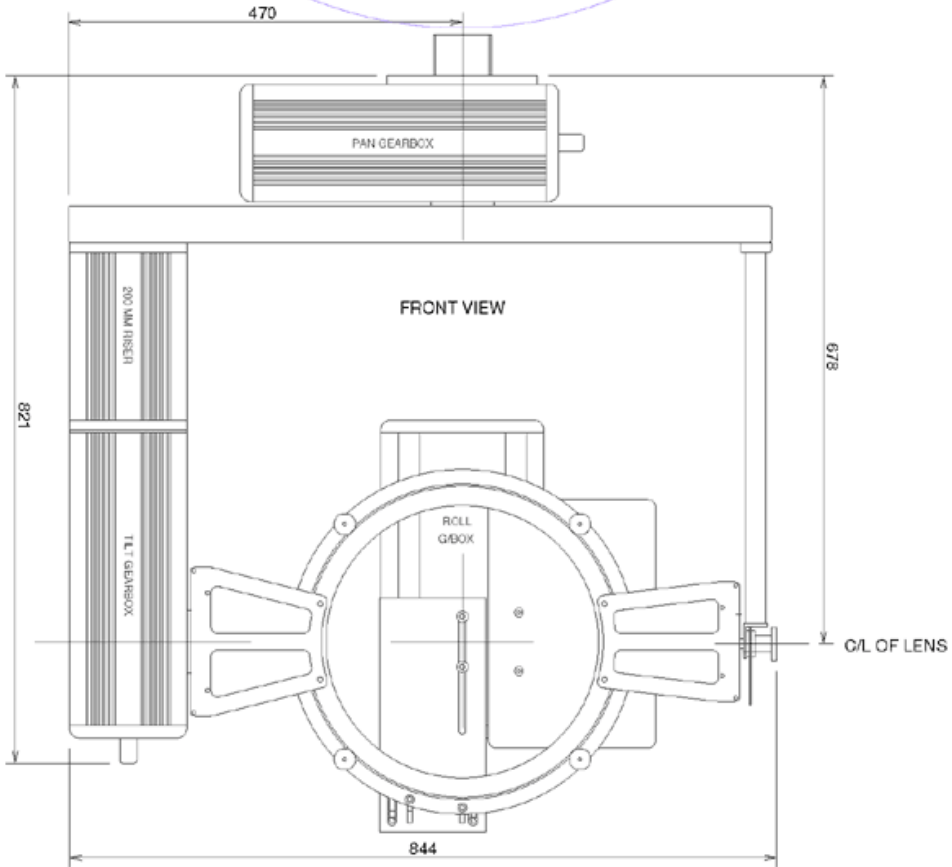
BRIDGE PLATE  
CLEARANCE

$\phi 960$

TOP VIEW



470



FRONT VIEW

678

821

GL OF LENS

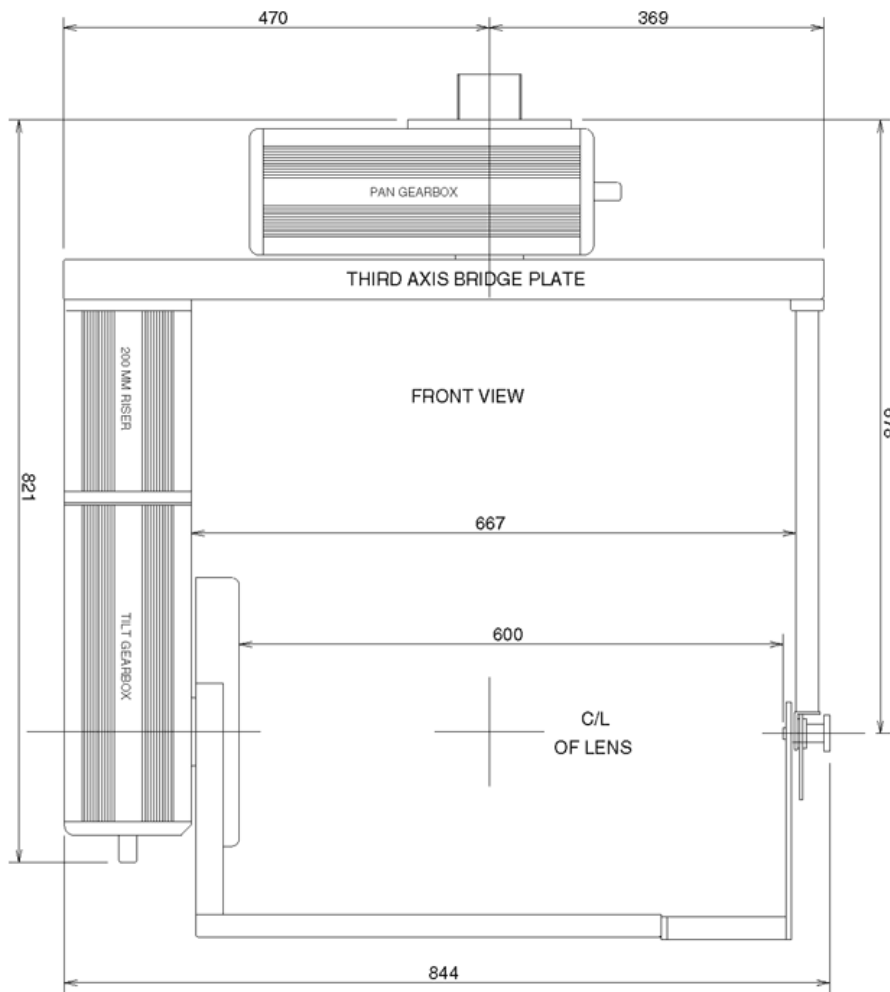
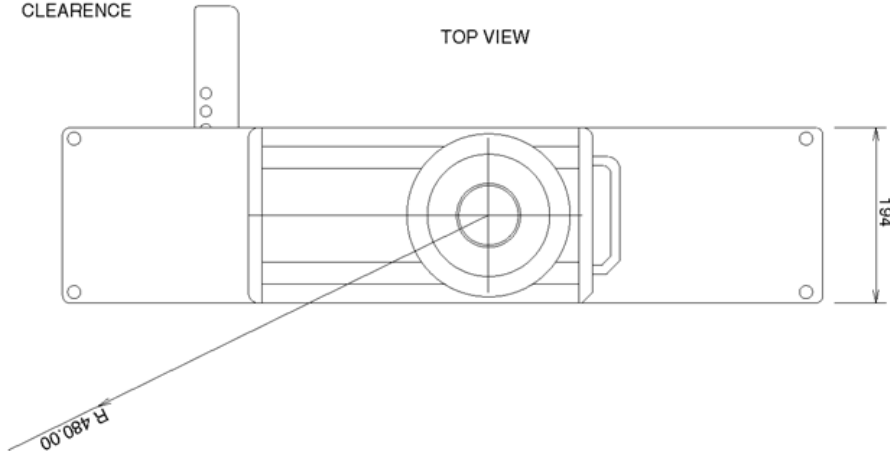
844

POD2000/261

POWER POD 2000  
IN TWO AXIS WIDE FORM.  
WITH 200MM RISER

BRIDGE PLATE  
CLEARANCE

TOP VIEW



DETAILS SUBJECT TO CHANGE WITHOUT NOTICE